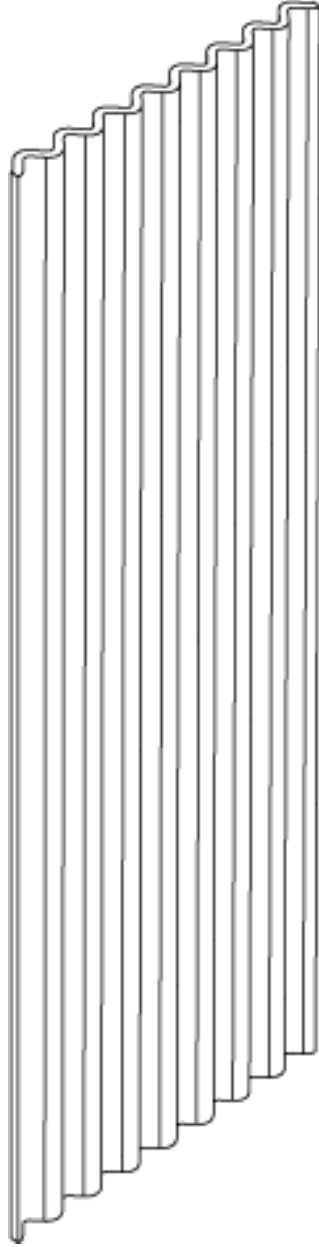
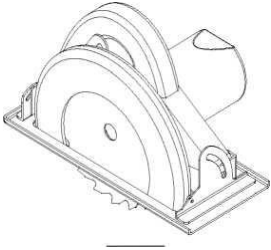


WAVE Acoustic - SINE Panel Installation Guide



Tools (varies based on Installation method):



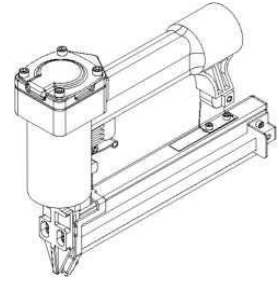
Circular Saw



Utility knife



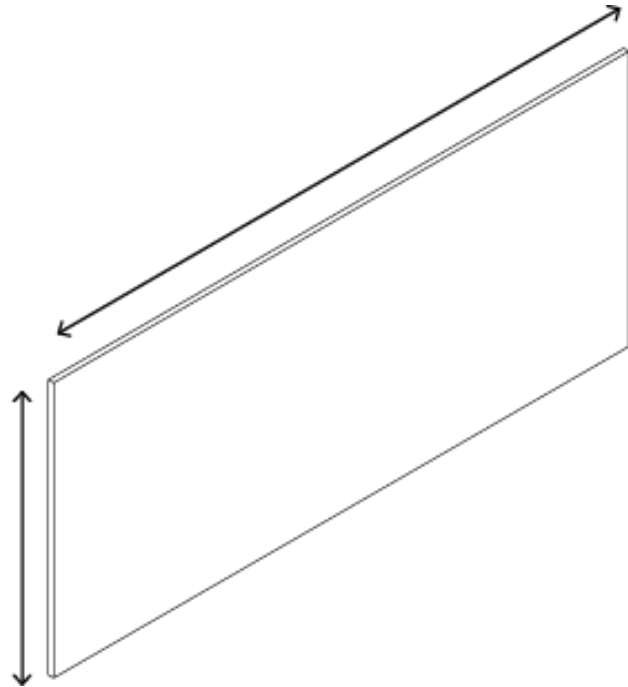
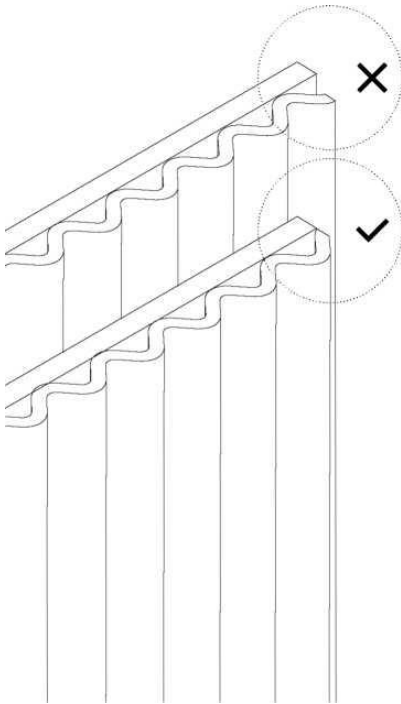
Glue gun



Nail gun

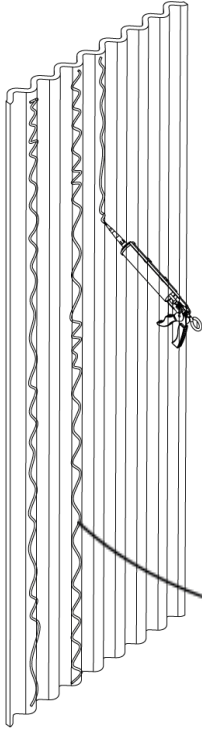
For the best result, avoid cutting the SINE panels in a curve.

1. Measure the surface that you want to cover with SINE panels. Cut the panels in the right sizes with a circular saw or a knife.

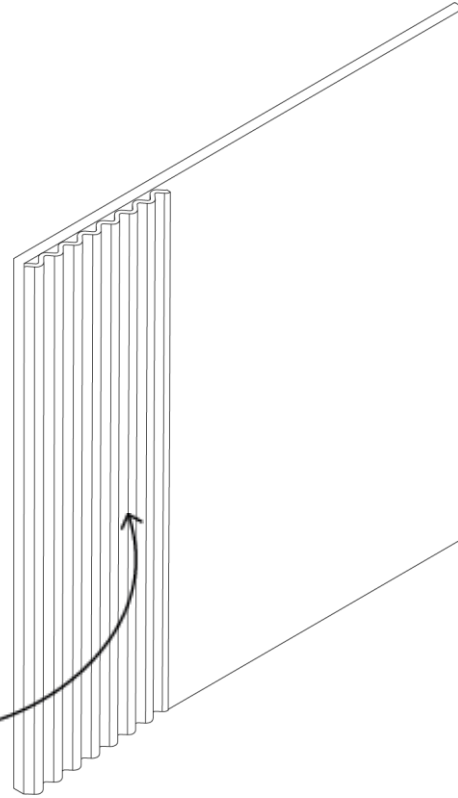


Attaching SINE Panels

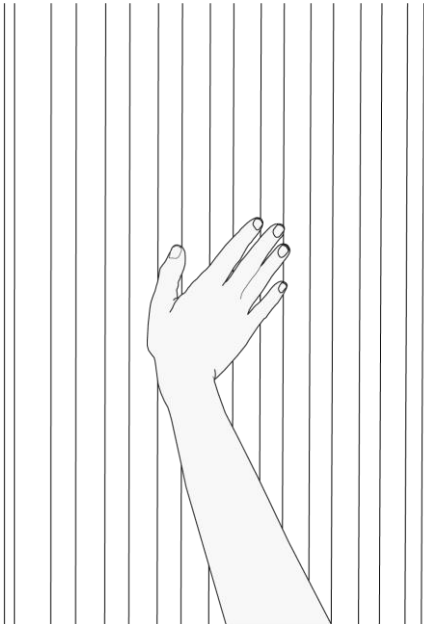
1. When you made sure the surface is clean and flat, apply the adhesive to the panel, following the adhesive manufacturer instructions. Distribute the glue evenly on the parts of the panel that will touch the wall.



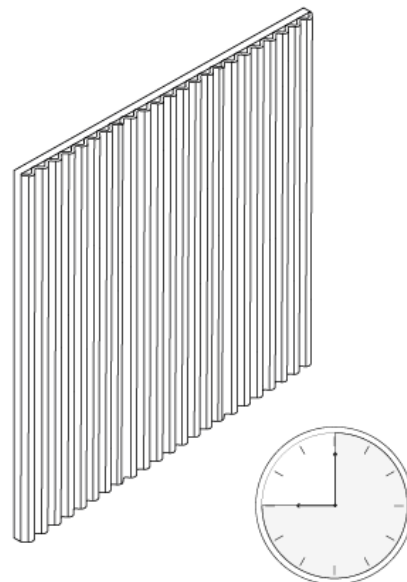
2. Start applying the panel from the bottom and place the panel aligned on the wall.



3. Press the panel firmly against the surface, make sure that the corners and edges are properly attached.

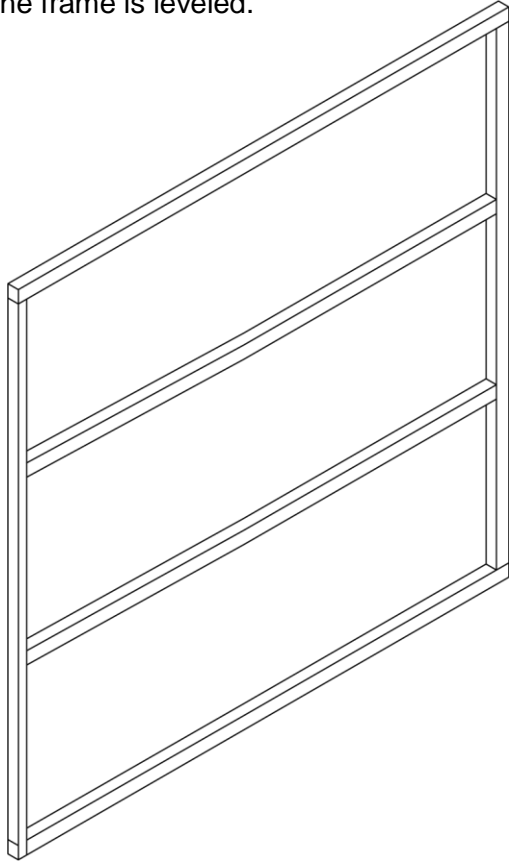


4. Allow the adhesive to cure. The curing time may vary, follow the adhesive manufacturer recommendations.

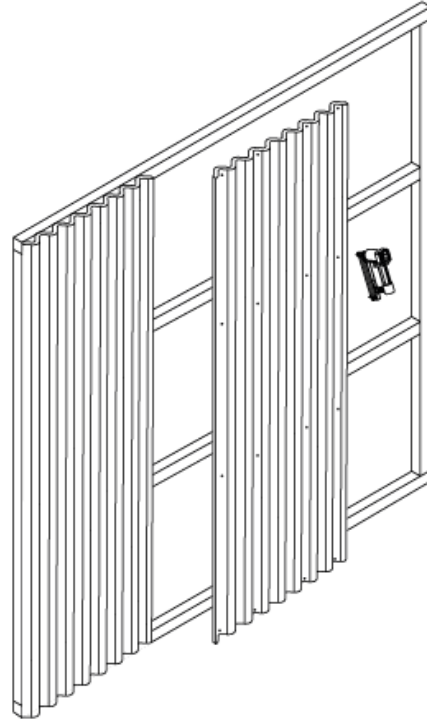


Attaching SINE Panels with nail gun

1. Prepare a wooden framework and make sure the frame is leveled.



2. The pressure of a pneumatic nailer tool must not be set too high, otherwise the staples or nails can go through the material.



3. For a better grip of the headless nail, the nails can be applied at an angle of approximately 45° .

