



PRODUCT NAME:

CoreBOO SOLID Slat Wall (NARROW, MEDIUM, WIDE, MIX)

MANUFACTURER/SUPPLIER:

Décor Acoustics
5403 Western Ave #C
Boulder, CO 80301
Ph: (720) 449-3063
Email: sales@DecorAcoustics.com
Website: www.DecorAcoustics.com/CoreBOO



PRODUCT DESCRIPTION:

CoreBOO SOLID Slat Wall products provide diffusion by breaking up soundwaves and dampening sound that would otherwise reflect out into the room. Made from long solid strips of laminated bamboo, the options vary within assembly, allowing for a multitude of installation options and applications. We offer our SOLID Slat Wall products in both a PET-backed version and one made of a 'Solid-ply' construction.

- Made from 100% rapidly renewable bamboo (5-year harvesting cycle)
- E0 and NAUF (No Adder Urea Formaldehyde) additives
- Available as "FSC"
- Available with "Class A" fire-rating

COLORS:



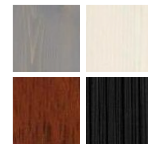
Dark



Medium



Light



'Custom' stains

PANEL SIZE:

Panel Length: 2.9m / 5.8m (114"/228")
Panel Width: 400mm (ie: ~ 15-3/4")
Panel Thickness:
 'Solid ply': 5mm (total: 25mm)
 PET: 9mm (total: 29mm)

CONSTRUCTION (options):

PET (Recycled) Our PET-backed SOLID Slat Wall product line is made on a rigid, 9mm, recycled PET substrate, that is designed to add absorption to the inherent diffusion offered by the Slat Wall design.

'Solid-ply' Our 'Solid-ply' backed SOLID Slat Wall product uses a 5mm multi-ply birch backer as the substrate to the bamboo strips. Rigid enough to hold its' own shape with minimal support, diffusion is the goal with this assembly.




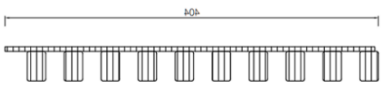

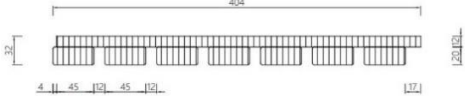

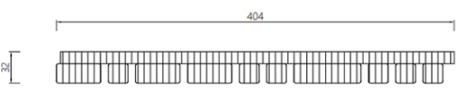
Image

PRODUCTS:

Narrow:

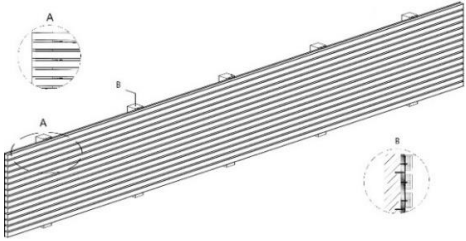
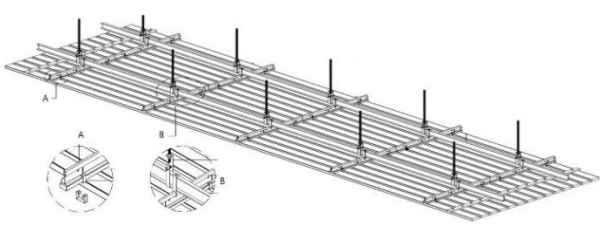
<i>Bamboo Size:</i> 20 * 20 mm (~ 0.80"x 0.80")	<i>Spacing:</i> 20 mm (~ 0.8")



Medium:	<i>Bamboo Size:</i> 20 * 30 mm (~ 0.80"x1.2")	<i>Spacing:</i> 10 mm (~ 0.4")
		
Wide:	<i>Bamboo Size:</i> 20 * 40 mm (~ 0.80"x1.6")	<i>Spacing:</i> 10 mm (~ 0.4")
		
Mix:	<i>Bamboo Size:</i> 20 * 20/40/60 mm (~0.80"/1.6"/2.4" x 0.80")	<i>Spacing:</i> 8 mm (~ 0.33")
		

BASIC APPLICATION INFORMATION:

CoreBOO Solid Perf Panels can be directly applied, hung with spacer clips, and mounted via wire (or similar) hanging system.

	
Direct-Applied (via adhesive, nails, or with Z-clip)	Hanging (clips, cables or otherwise)

COREBOO PHYSICAL SPECIFICATIONS:

Composition: 100% solid bamboo
Density: ±680 kg/m³ (EN323)
Durability Class: 1-2 (EN350)
Janka hardness: 1,380 lbf
Moisture content: 10%-14%
Formaldehyde emission: ND (EN 717-1,ISO16000-9 &ISO16000-6)
TVOC: ND (ISO16000-9:2006/COR1-2007&ISO16000-6:2011&ISO16000-3:2011)
Fire-rating (standard): B-s1, d0 (EN13501)
Fire-rating (w/ treatment): Class A (ASTM E84-17)

Fungus Resistance: Grade 0 (JIS Z 2911)
Bending strength: 111.75 N/mm² (EN310)
Modulus of Elasticity: 9750 N/mm² (EN310)
Screw retentivity rate: (EN13446)
Edge withdrawal-Long side: 31N/mm²
Edge withdrawal-Short side: 36 N/mm²
Surface withdrawal: 44 N/mm²
Water absorption rate: (EN318)
Change in length: ±0.9 mm/m
Change in thickness: ±1%
Determination of Resistance to Indentation: (EN1534)
Brinell hardness (HB): 30 N/mm²

GENERAL CONSIDERATIONS:

- ✓ Natural variation among panels may occur due to the natural characteristics of bamboo raw material (pre-applied custom stains are available).
- ✓ Site conditions to ensure stability: it is very important that CoreBOO panels are acclimatized prior to installation. Relative humidity between 25% and 55% and temperatures between 50°F and 86°F must be maintained throughout the life of the product.