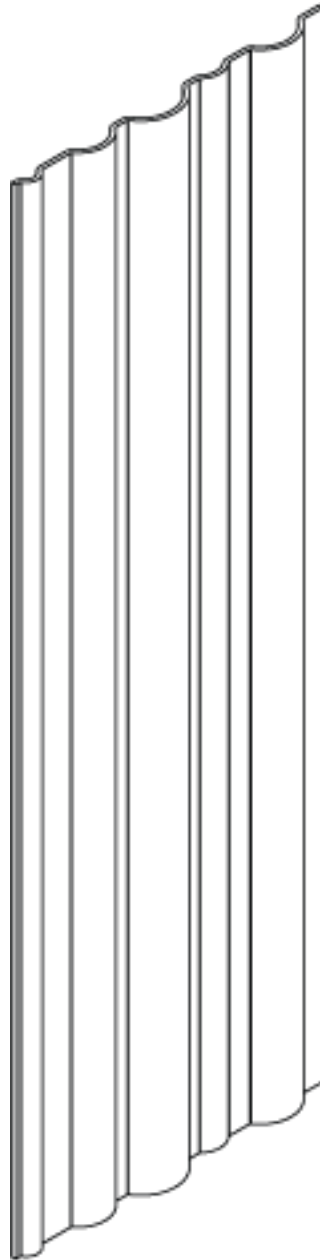
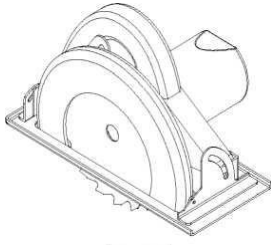


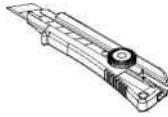
Wave Acoustic - BUMP Panel Installation Guide



Tools (varies based on Installation method):



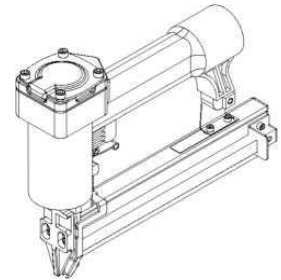
Circular Saw



Utility knife

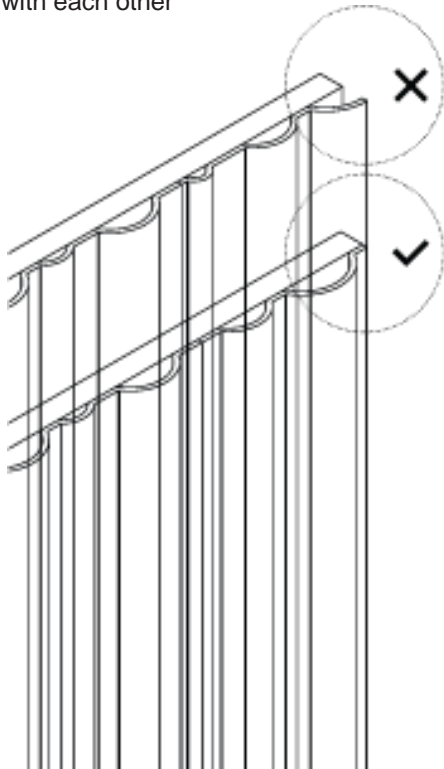


Glue gun

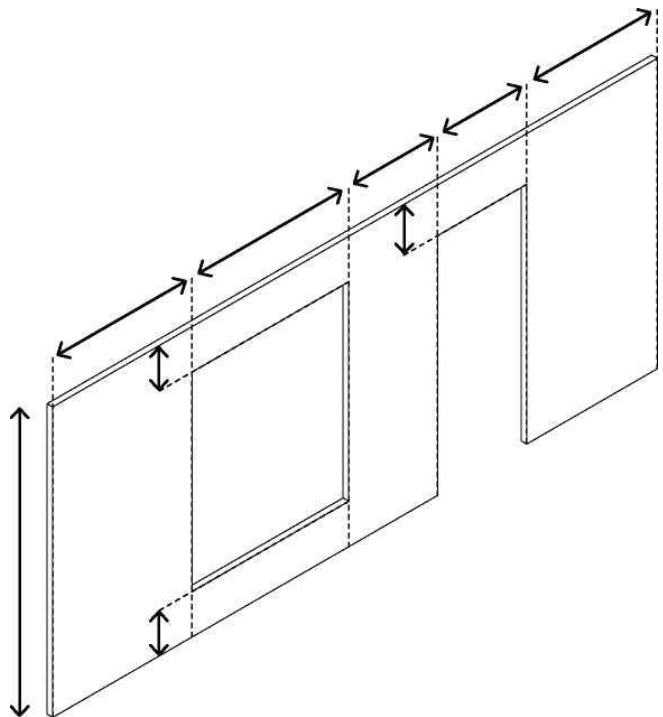


Nail gun

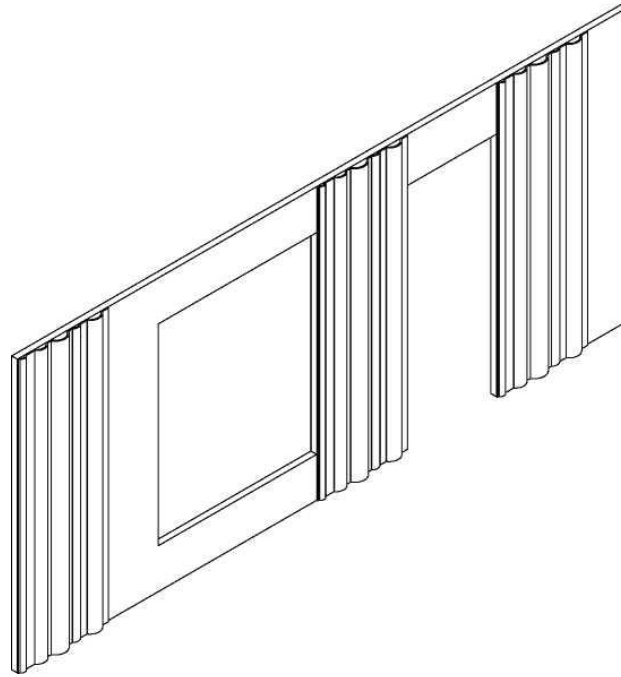
The asymmetric design of BUMP Panel has a hidden algorithm behind. It ensures that a piece of any length, cut out of the panel, always has a flat part at the start and at the end. As a result, all parts can be seamlessly connected with each other



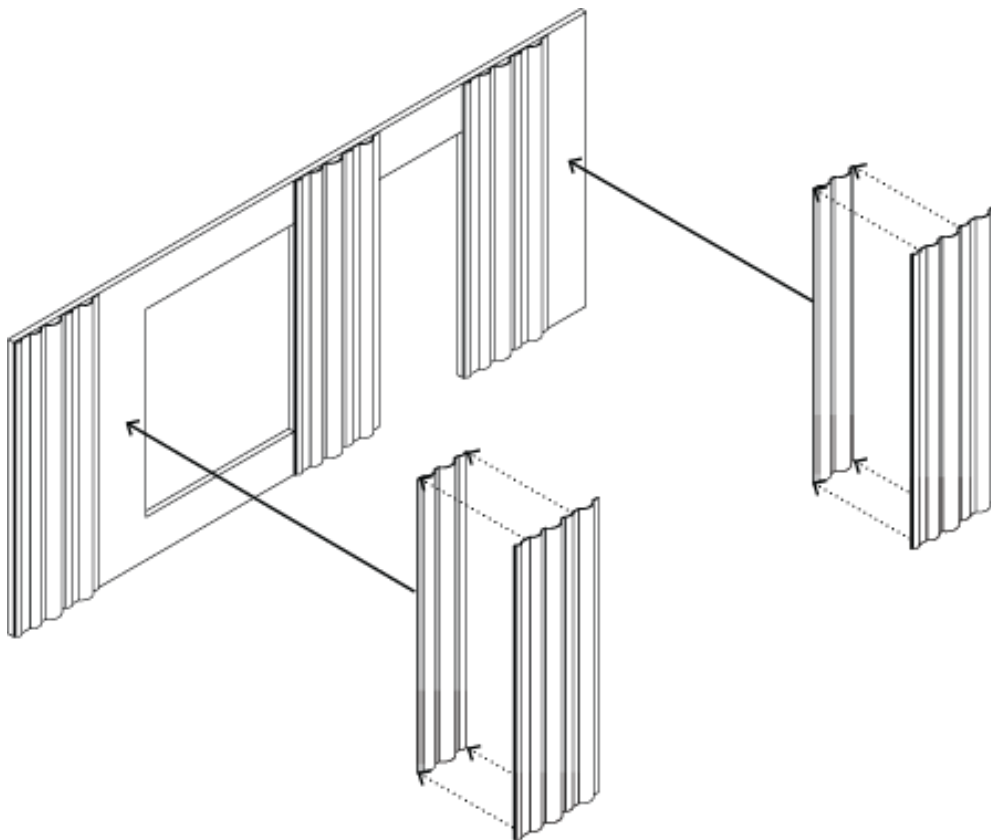
1. Measure all the parts of the wall you want to cover with BUMP panels.



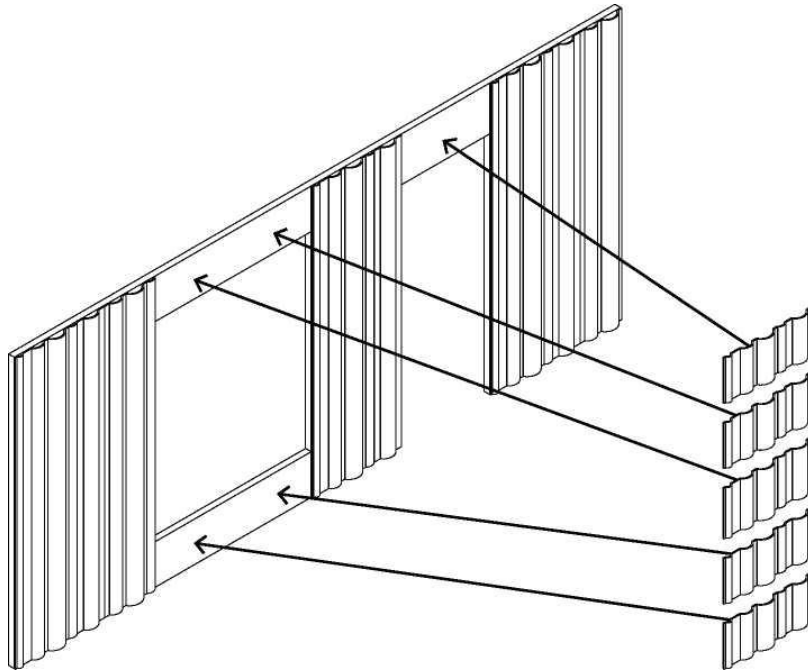
2. Calculate how many intact panels fit on the walls.



3. Measure how much width you need of a whole panel, to fill up the empty pieces. Cut or saw the pieces. Go to the end of this manual for an overview of the sizes you can cut.

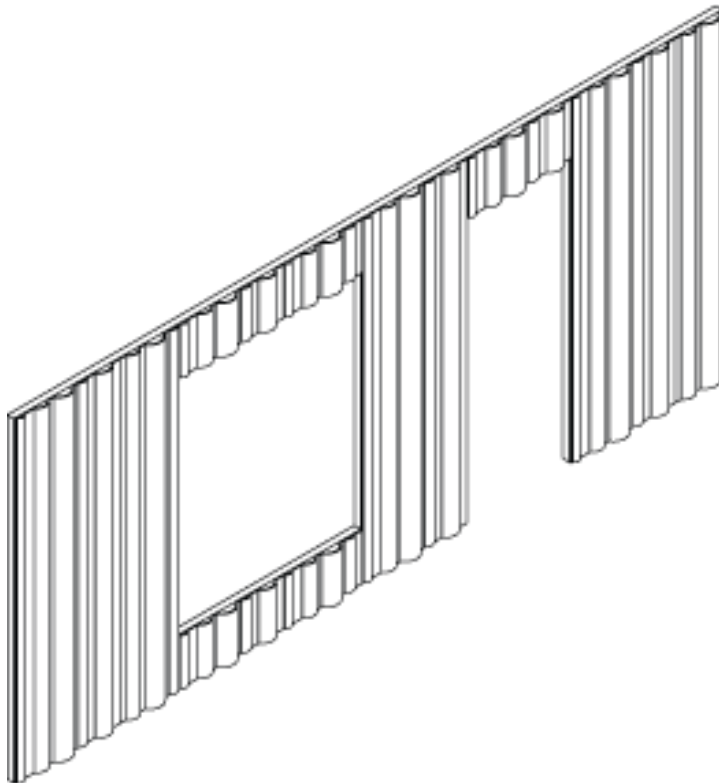


5. Measure the size of the remaining blanks, and cut the last pieces.

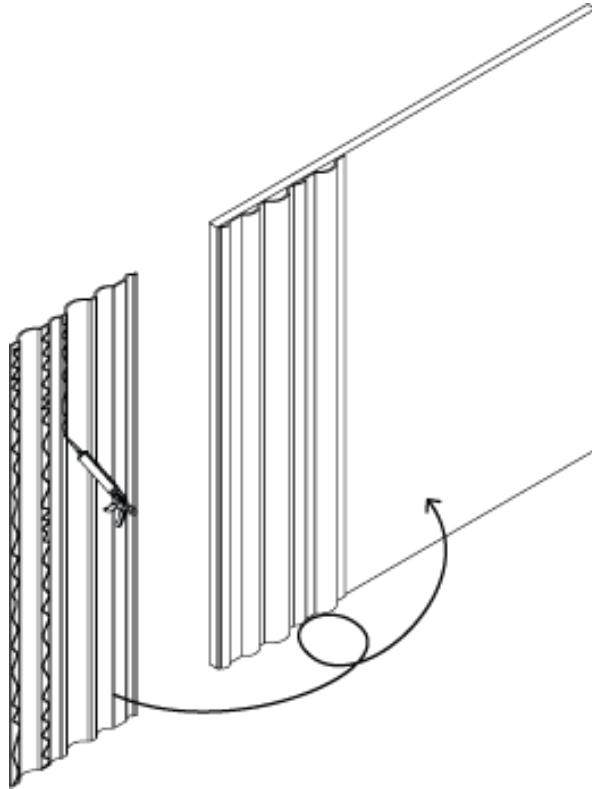


4. Now you have all the pieces to cover the wall with Mute Fit panels

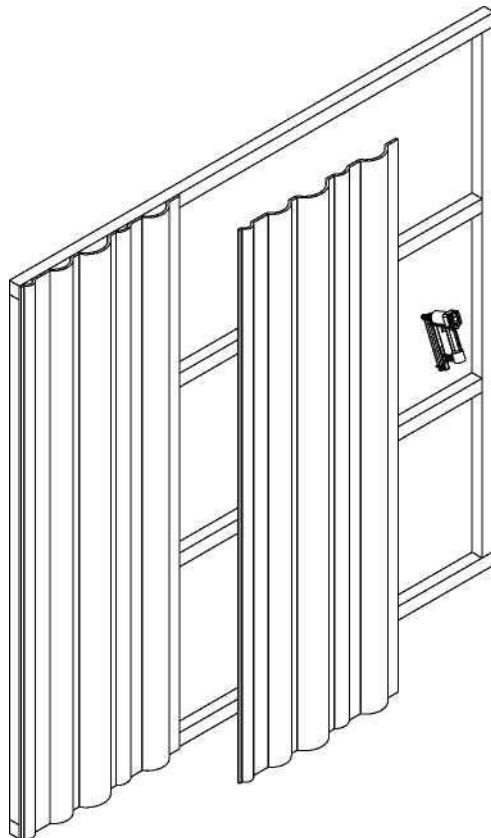
⚠ Make sure every panel ends on a flat piece.
Only cut on the parts.



7. Measure how much width you need of a whole panel, to fill up the empty pieces. Cut or saw the pieces. Go to the end of this manual for an overview of the sizes you can cut.

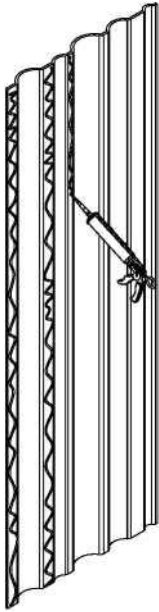


6. Now you have all the pieces to cover the wall with Mute Fit panels.

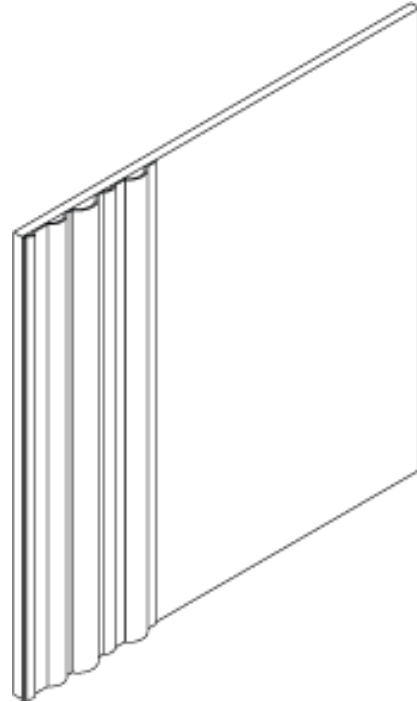


Attaching BUMP panel

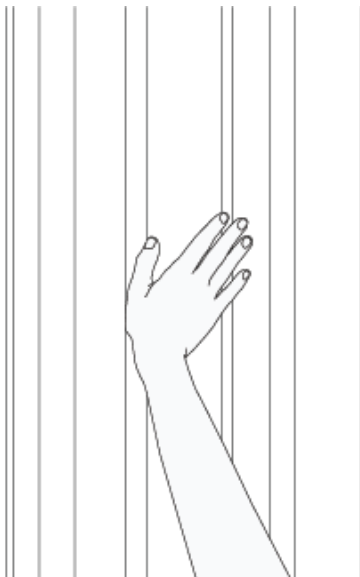
3. When you made sure the surface is clean and flat, apply the adhesive to the panel, following the adhesive manufacturer instructions. Distribute the glue evenly on the flat parts of the panel



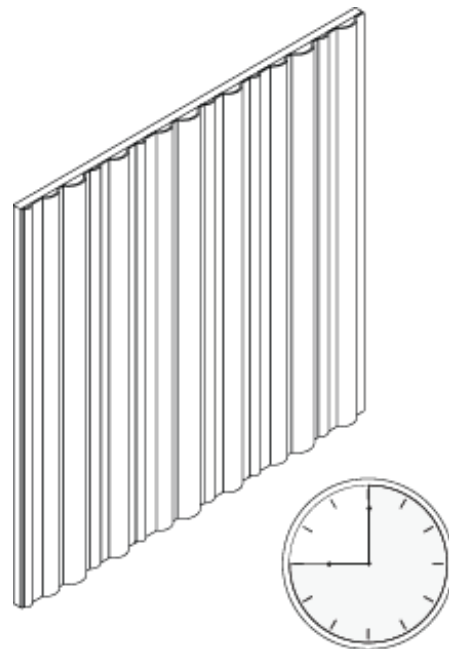
2. Start applying the panel from the bottom, and place the panel aligned on the wall



1. Press the panel firmly against the surface, make sure that the corners and edges are properly attached

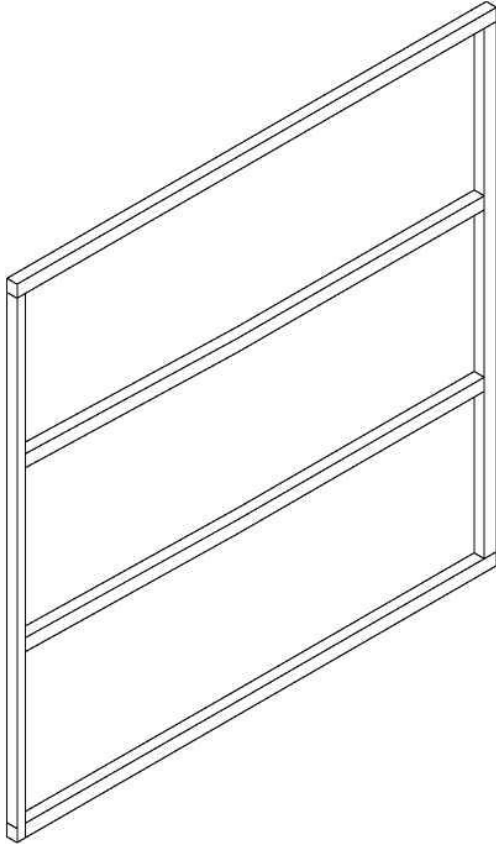


- Q** Allow the adhesive to cure. The curing time may vary, follow the adhesive manufacturer recommendations.

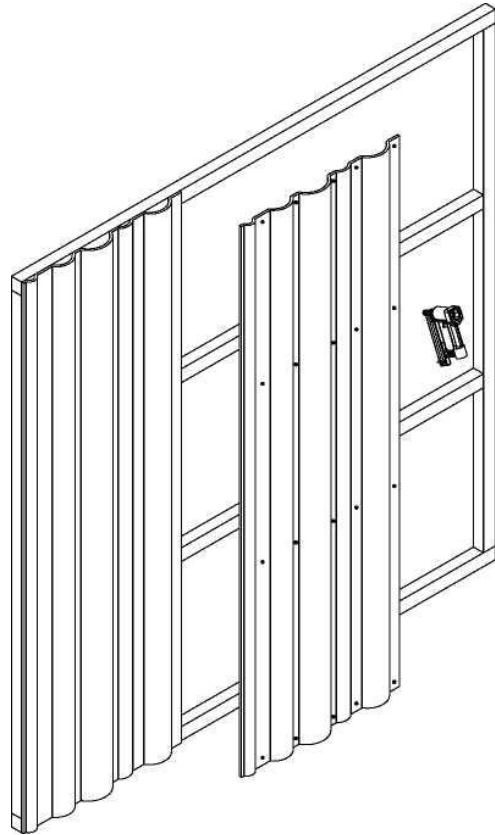


Attaching BUMP panels with nail gun

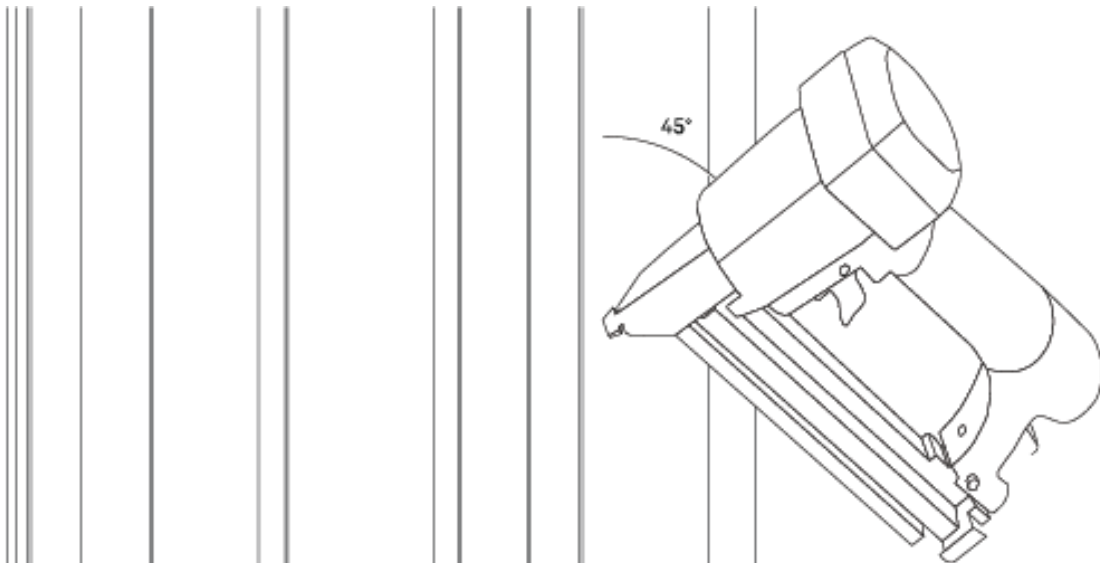
2. Prepare a wooden framework and make sure the frame is leveled.



1. The pressure of a pneumatic nailer tool must not be set too high, otherwise the staples or nails can go through the material.

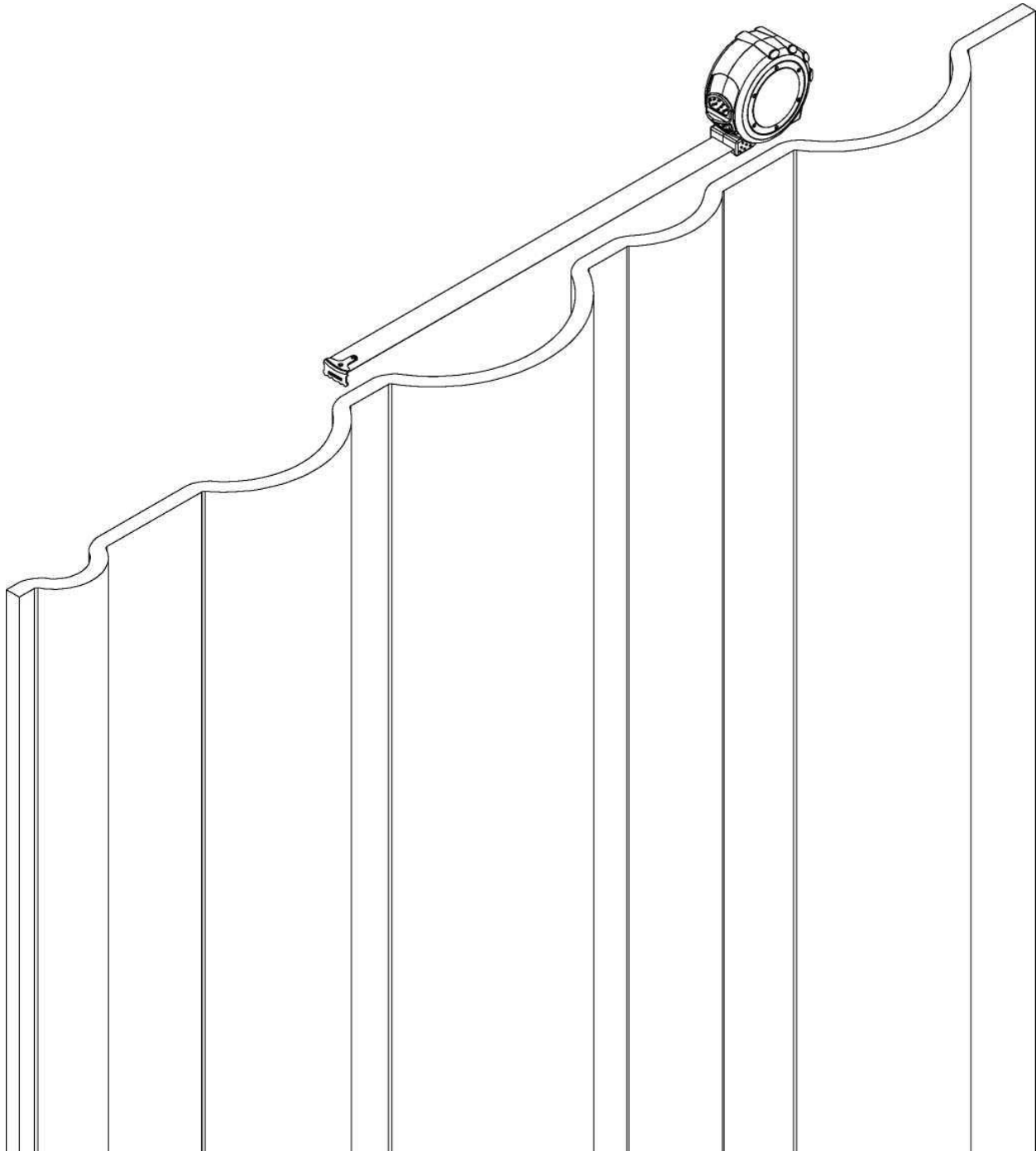


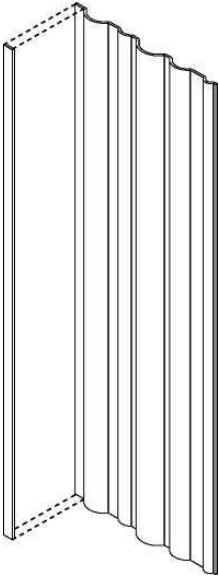
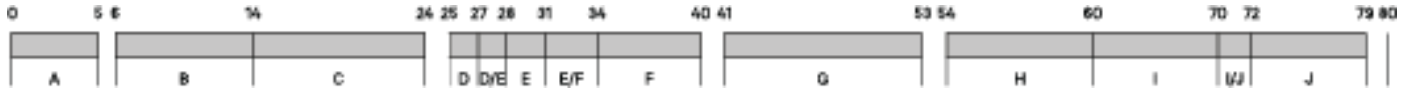
3. For a better grip of the headless nail, the nails can be applied at an angle of approximately 45°



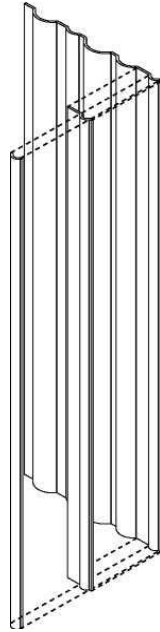
Measuring BUMP panels

The easiest way to measure how much of a panel you need and where to cut, is to lay a tape measure along the section of the wall where you need a custom piece of a Mute Fit panel. Then place the tape measure along the top of the panel, and slide until you find a position where the ends of the tape measure touch a flat part of the panel. Those positions are the places where you can cut or saw the panel. In the following pages, you'll find an overview of all the dimensions you can get out of the BUMP panels

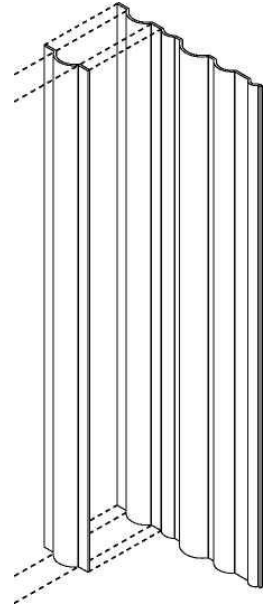




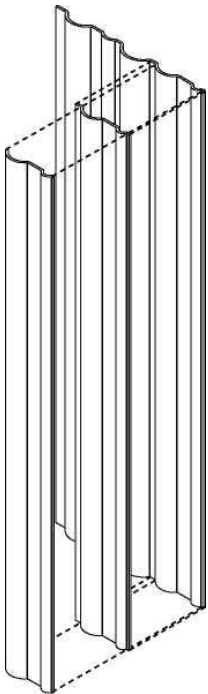
0 - 5 cm



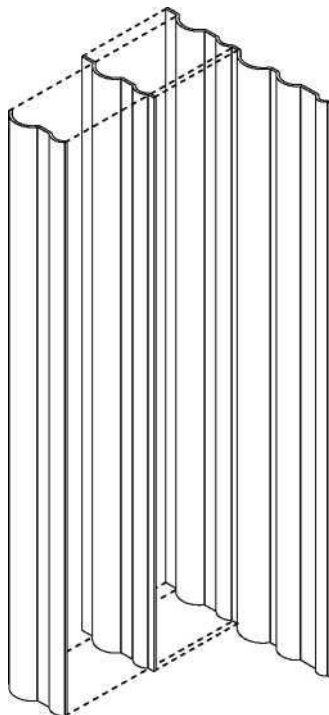
6 - 14 cm



14 - 24 cm

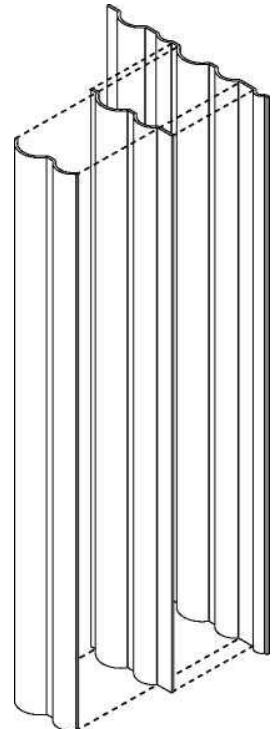


25 - 28 cm

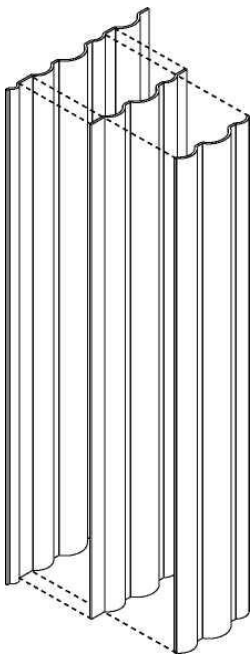
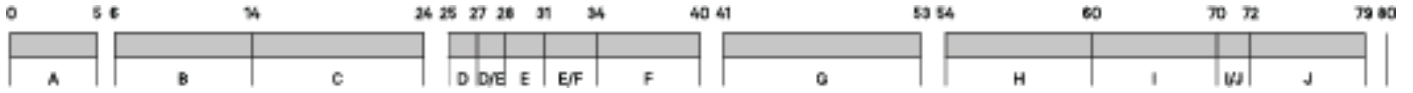


27 - 34 cm

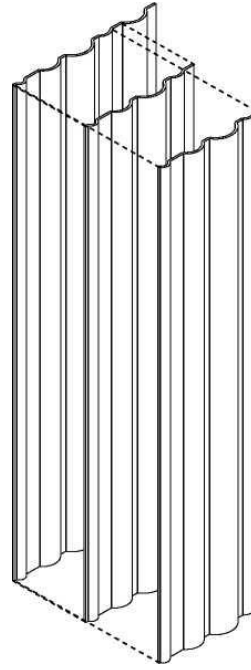
F



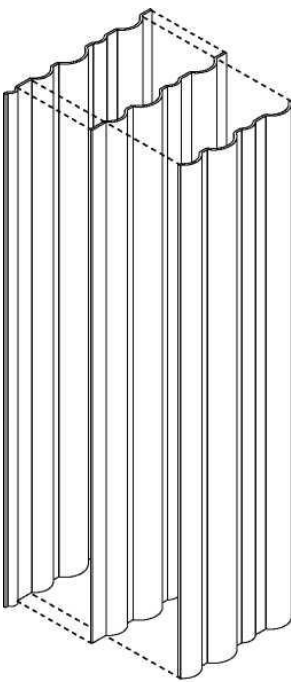
31 - 40 cm



41 - 53 cm

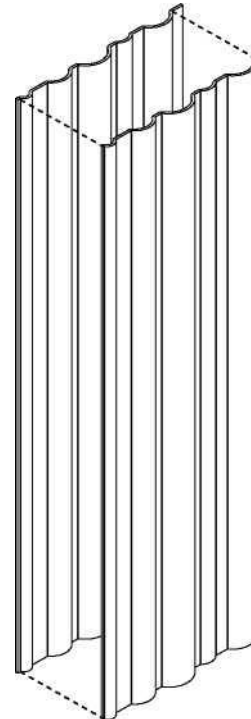


54 - 60 cm



60 - 72 cm

J



70 - 79 cm